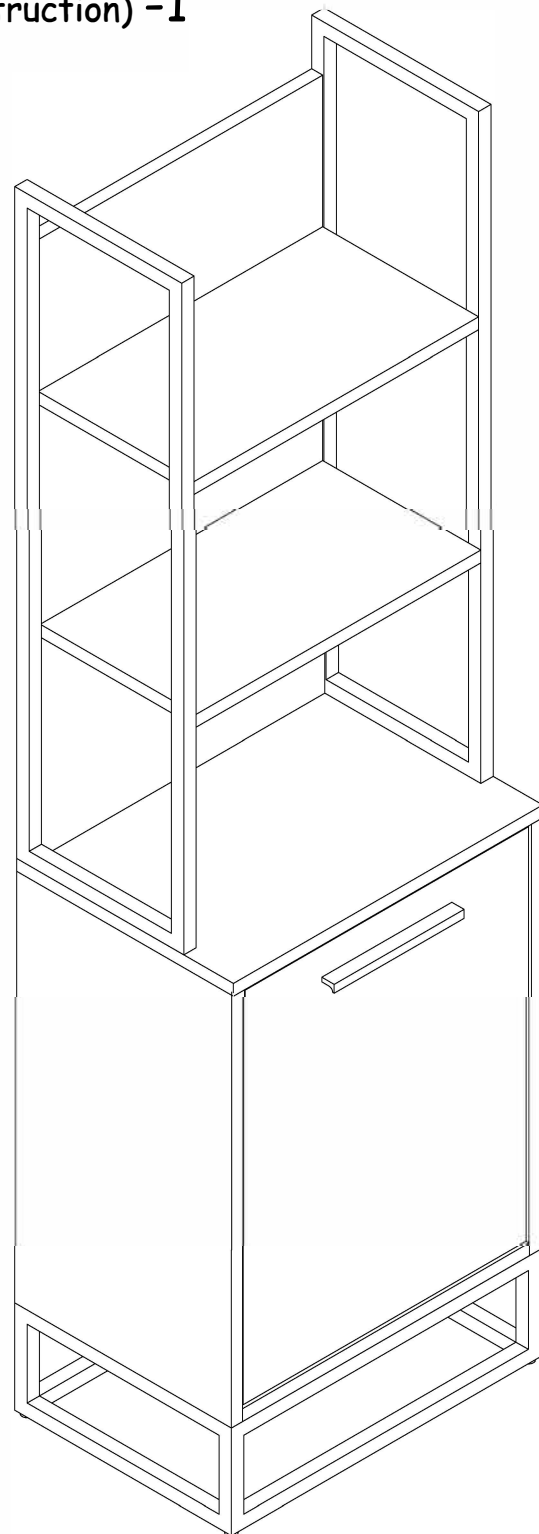


Montaj Talimatı (Assembly Instruction) -1

LEGEND - BOOKSHELF - (V02)



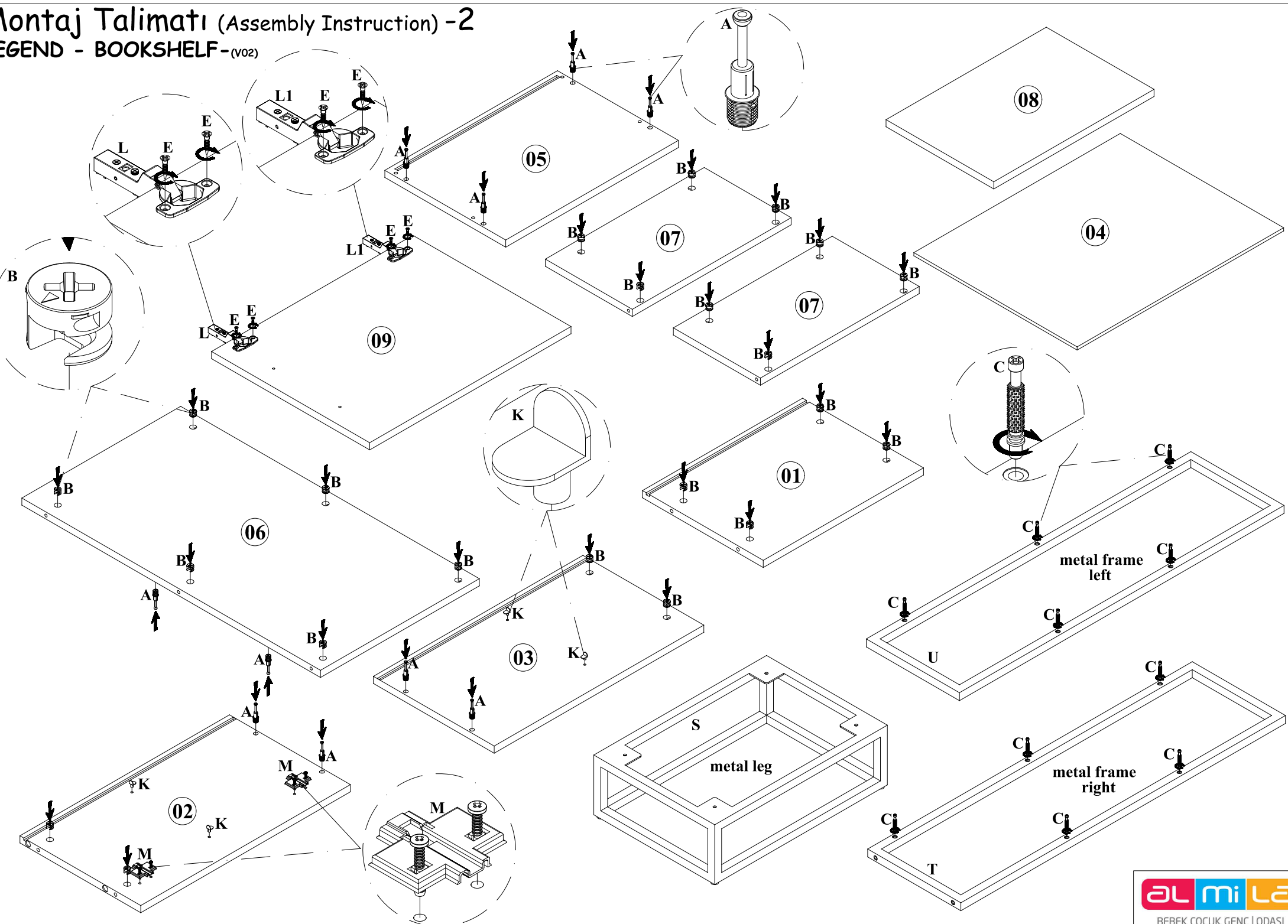
A	B	C	D	E
12	22	10	4	4
F	G	H	J	K
4	2	4	4	4
L	L1	M		
1	1	2		
N	O	P	R	
1	1	2	25	

C	W	x	L	x	H
01	464	x	350	x	18
02	607	x	350	x	18
03	607	x	350	x	18
04	598	x	473	x	8
05	500	x	350	x	18
06	865	x	460	x	18
07	460	x	252	x	18
08	464	x	312	x	8
09	583	x	458	x	18



Montaj Talimatı (Assembly Instruction) -2

LEGEND - BOOKSHELF-(v02)



Montaj Talimatı (Assembly Instruction) -3

LEGEND - BOOKSHELF - (v02)

