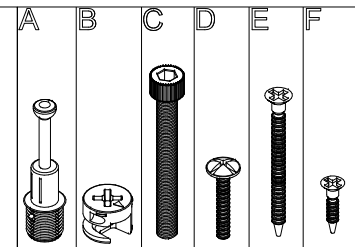
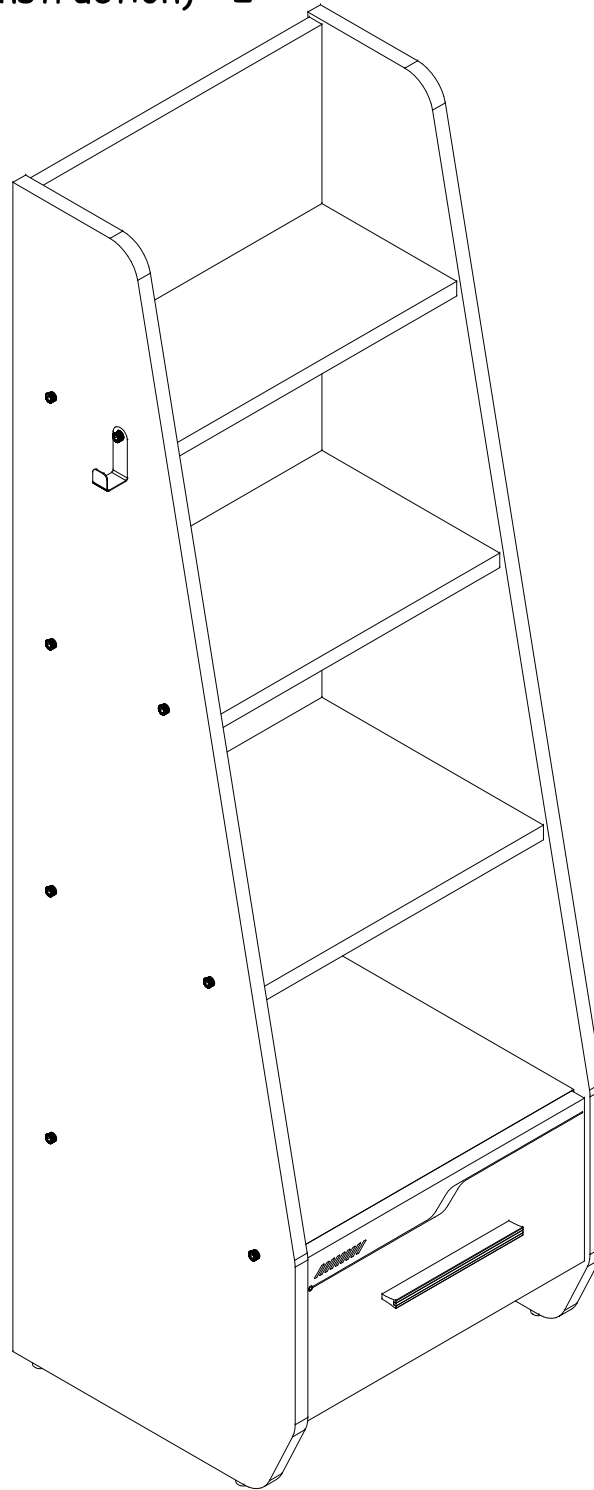
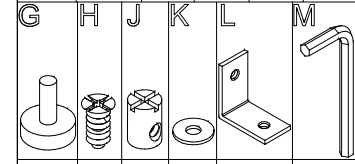


Montaj Talimatı (Assembly Instruction) -1

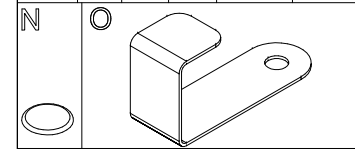
ROOX - BOOKSHELF-(v01)



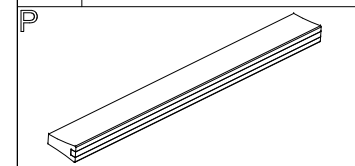
10 10 16 2 4 1



4 4 16 16 1 1



10 1

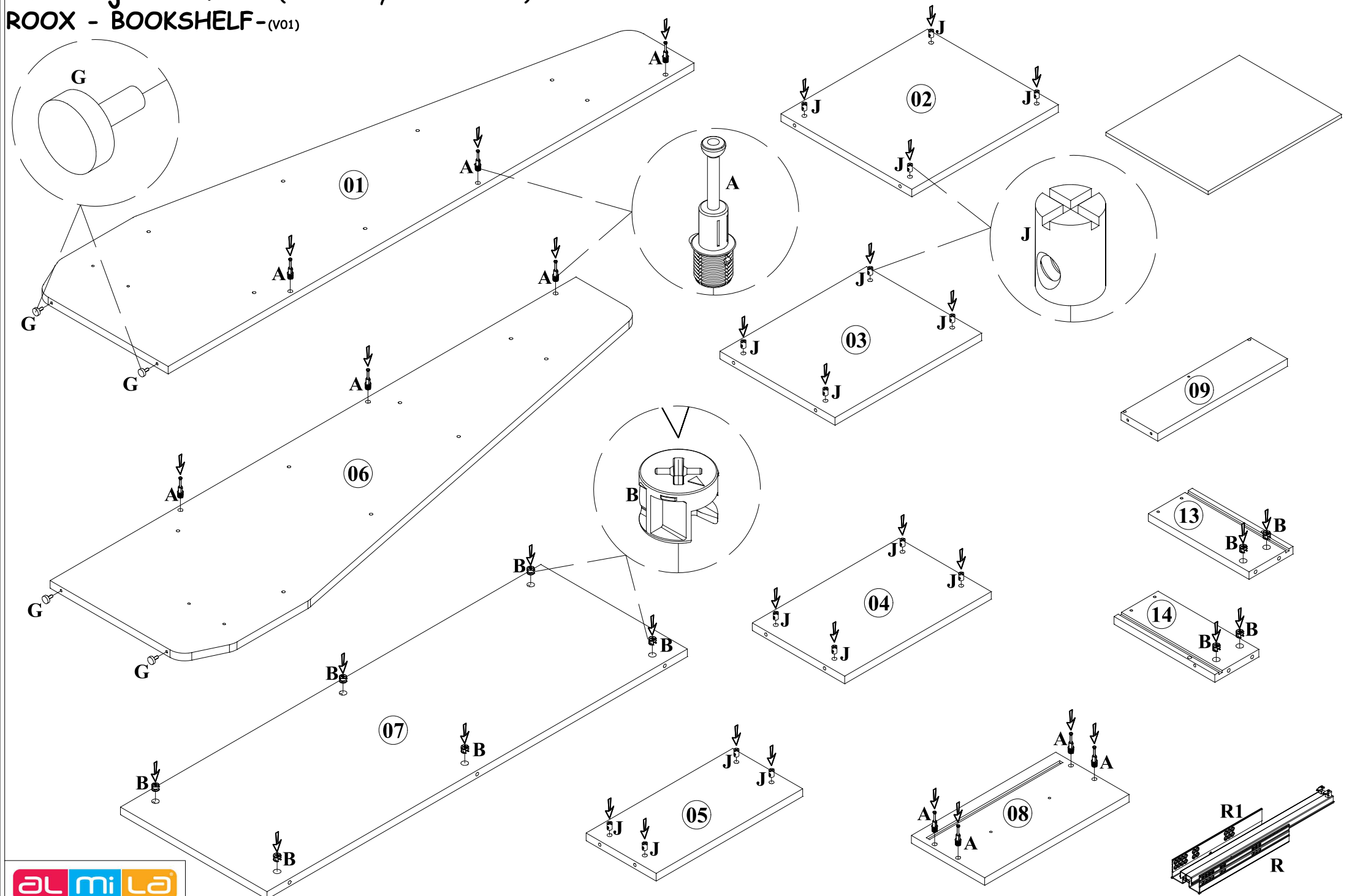


1

C	W	x	L	x	H
01	1435	x	400	x	18
02	400	x	357	x	18
03	400	x	314	x	18
04	400	x	252	x	18
05	400	x	191	x	18
06	1435	x	400	x	18
07	1147	x	400	x	18
08	394	x	200	x	18
09	354	x	100	x	18
10	364	x	279	x	8
13	275	x	120	x	18
14	275	x	120	x	18

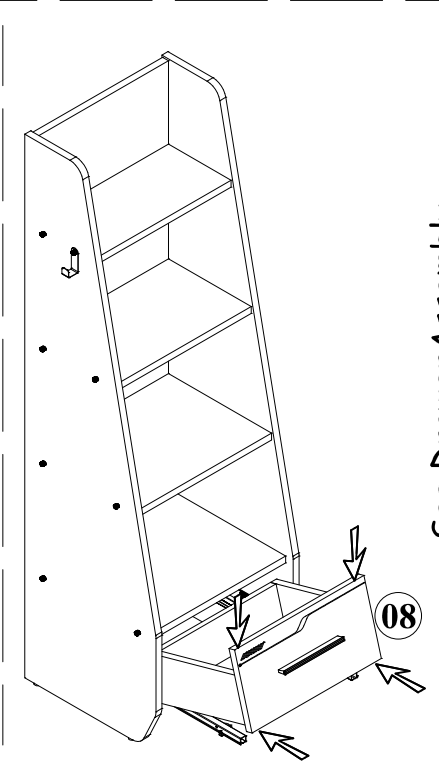
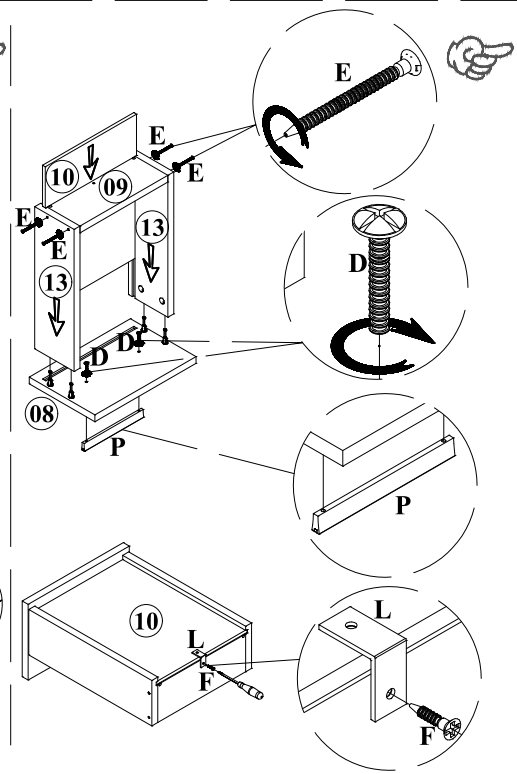
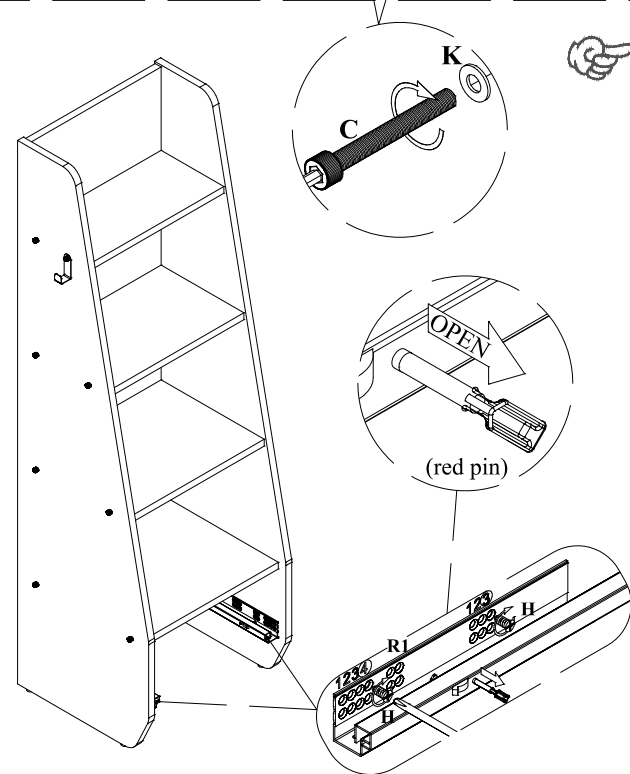
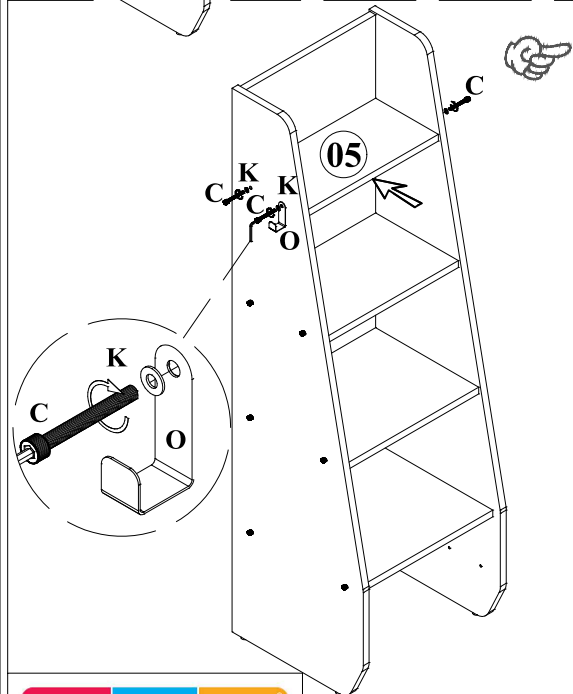
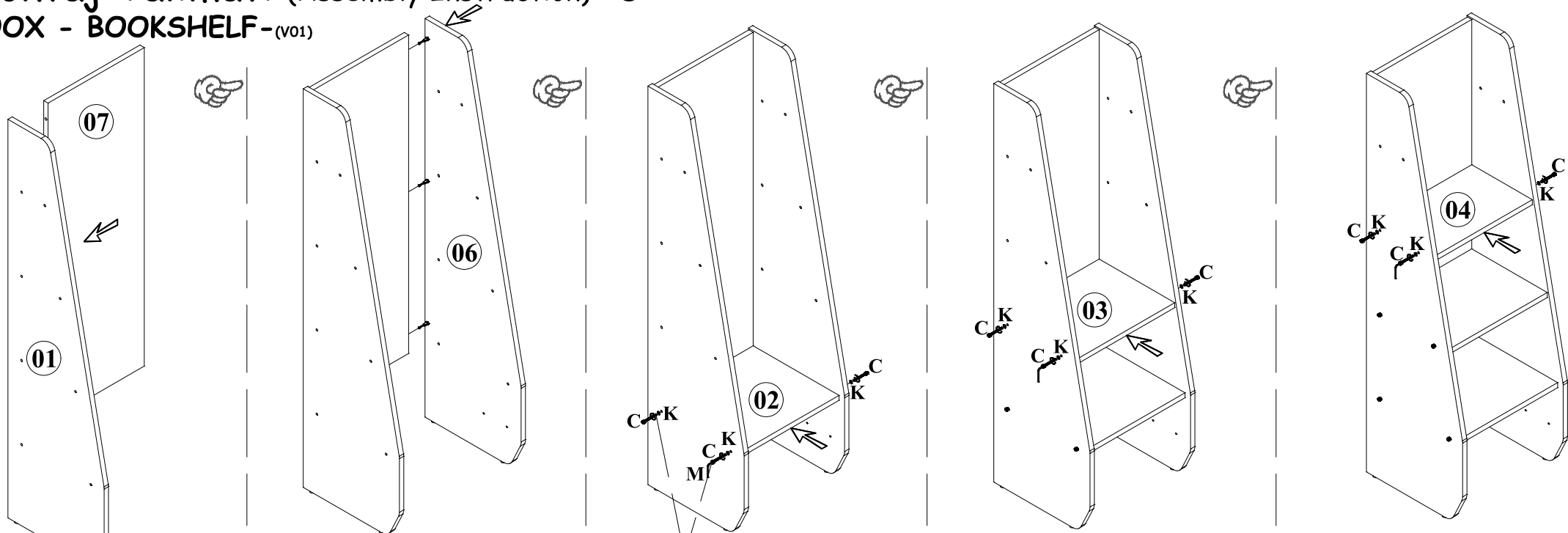
Montaj Talimatı (Assembly Instruction) -2

ROOX - BOOKSHELF-(v01)



Montaj Talimatı (Assembly Instruction) -3

ROOX - BOOKSHELF-(v01)



-See Drawer Assembly-