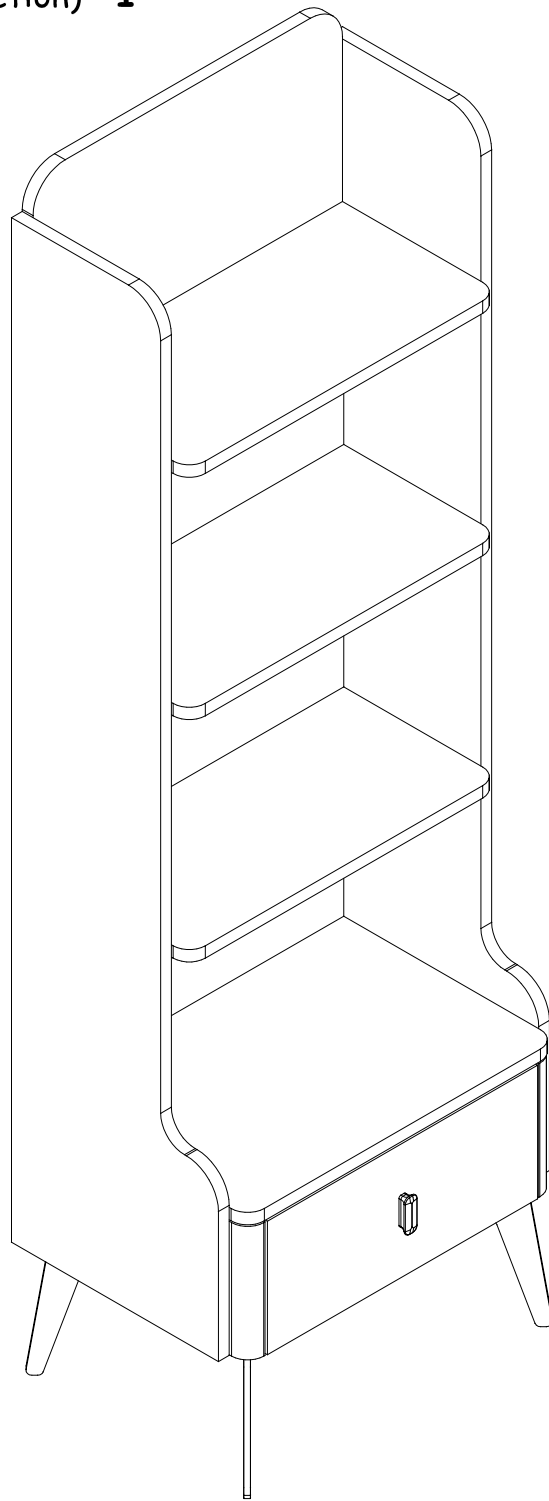


Montaj Talimatı (Assembly Instruction) -1

VENA - BOOKSHELF^(v01)

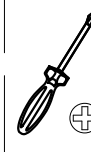


C	W	x	L	x	H	A	B	C	D
01	519	x	359	x	18				
02	1488	x	347	x	18				
03	519	x	358	x	18				
04	1225	x	528	x	8	22	22	1	6
05	519	x	280	x	18	E	F	G	H
06	519	x	293	x	18				
07	1488	x	347	x	18				
08	175	x	80	x	30				
09	194	x	72	x	30				
10	194	x	72	x	30	4	16	8	2
11	519	x	260	x	18	J	K	L	M
12	453	x	194	x	18				
13-1	424	x	280	x	8				
14-1	414	x	100	x	18	4	8	8	6
13	275	x	120	x	18	N	O	P	
14	275	x	120	x	18				

1

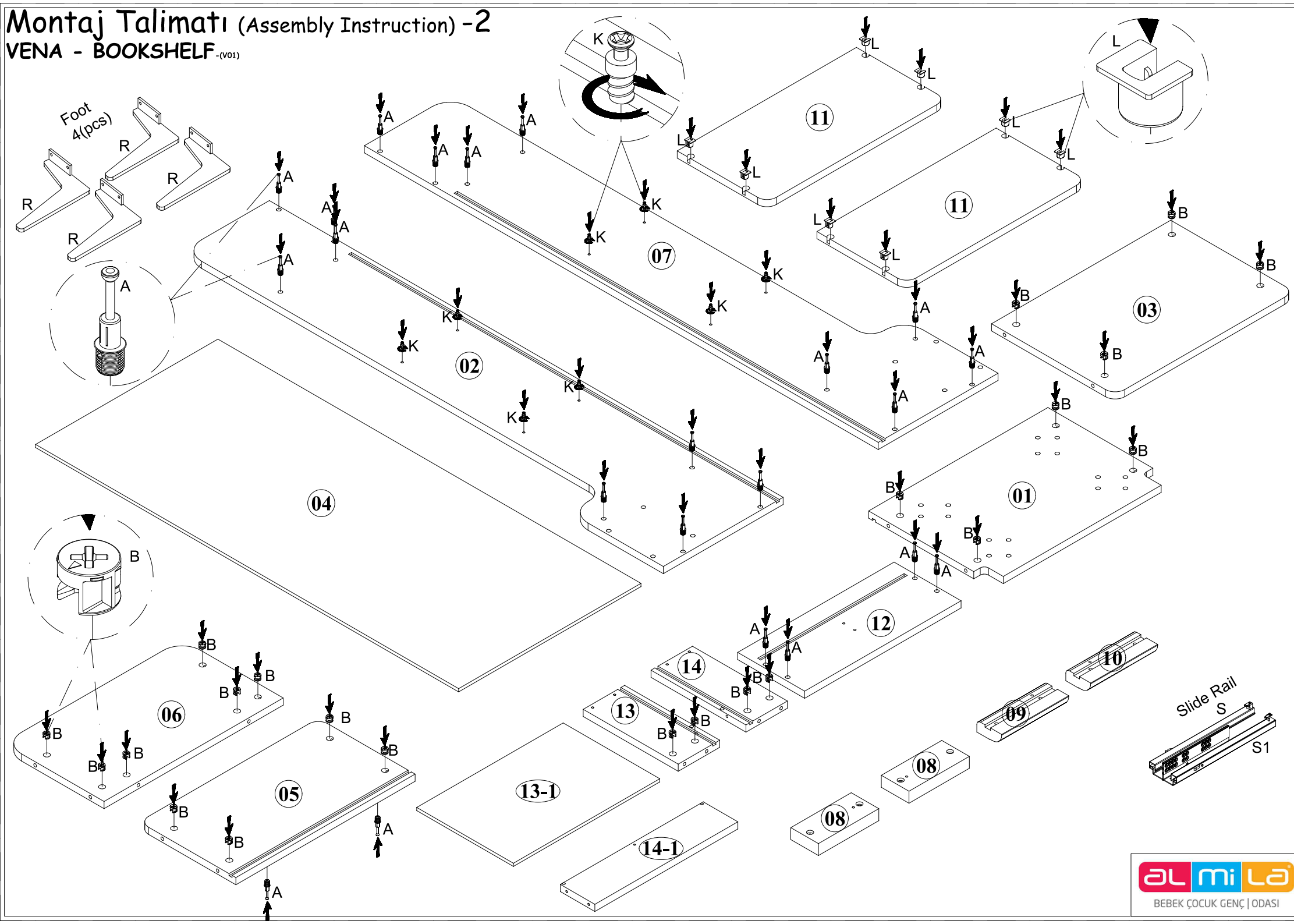
1

22



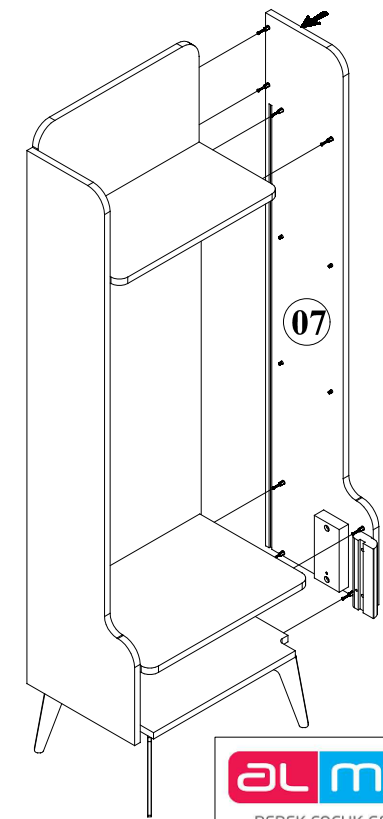
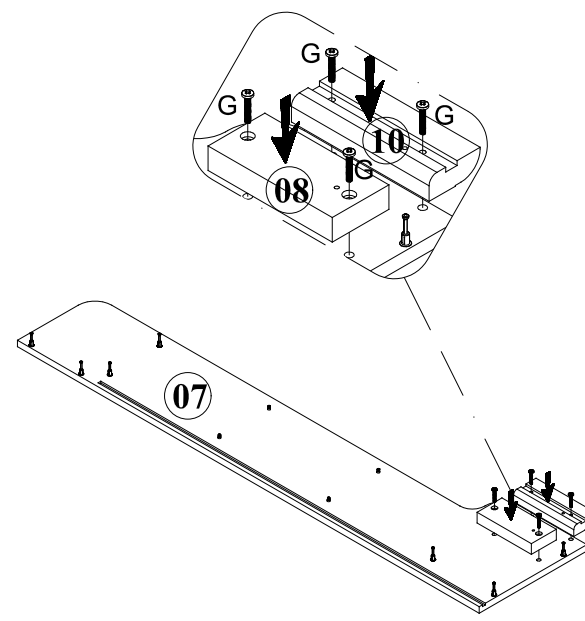
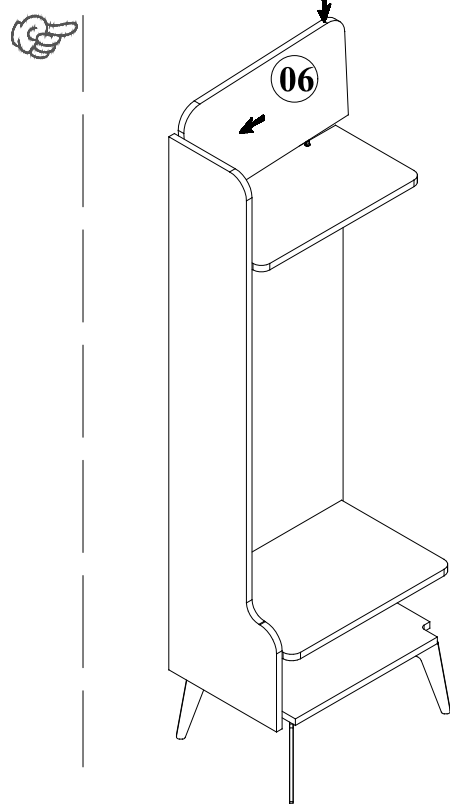
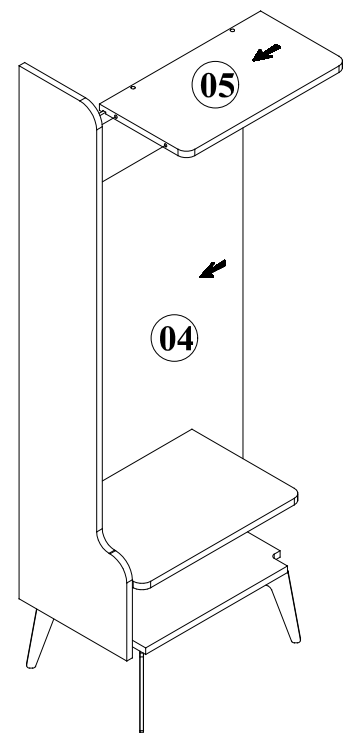
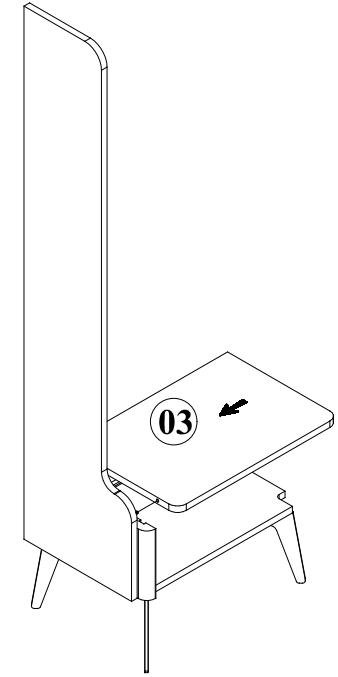
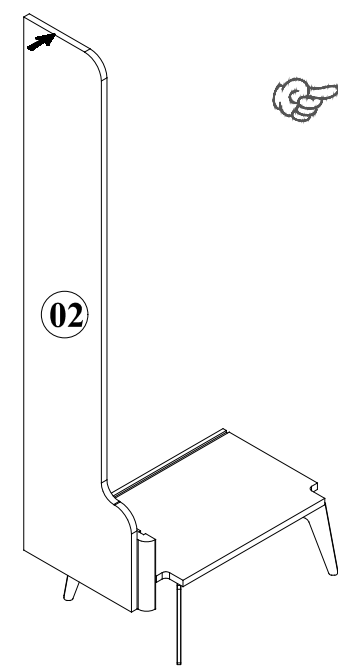
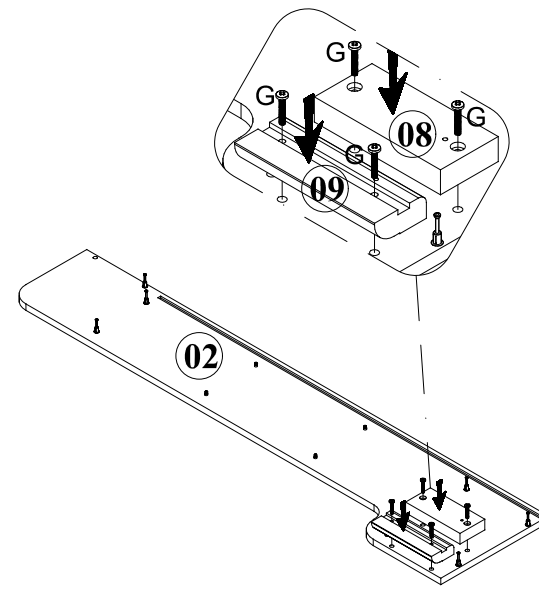
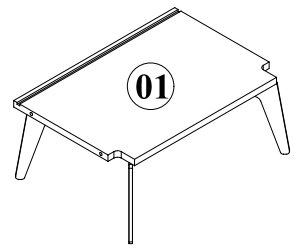
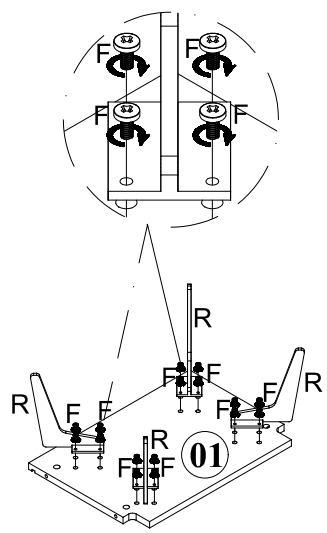
Montaj Talimatı (Assembly Instruction) -2

VENA - BOOKSHELF - (v01)



Montaj Talimatı (Assembly Instruction) - 3

VENA - BOOKSHELF - (v01)



Montaj Talimatı (Assembly Instruction) -4

VENA - BOOKSHELF - (v01)

