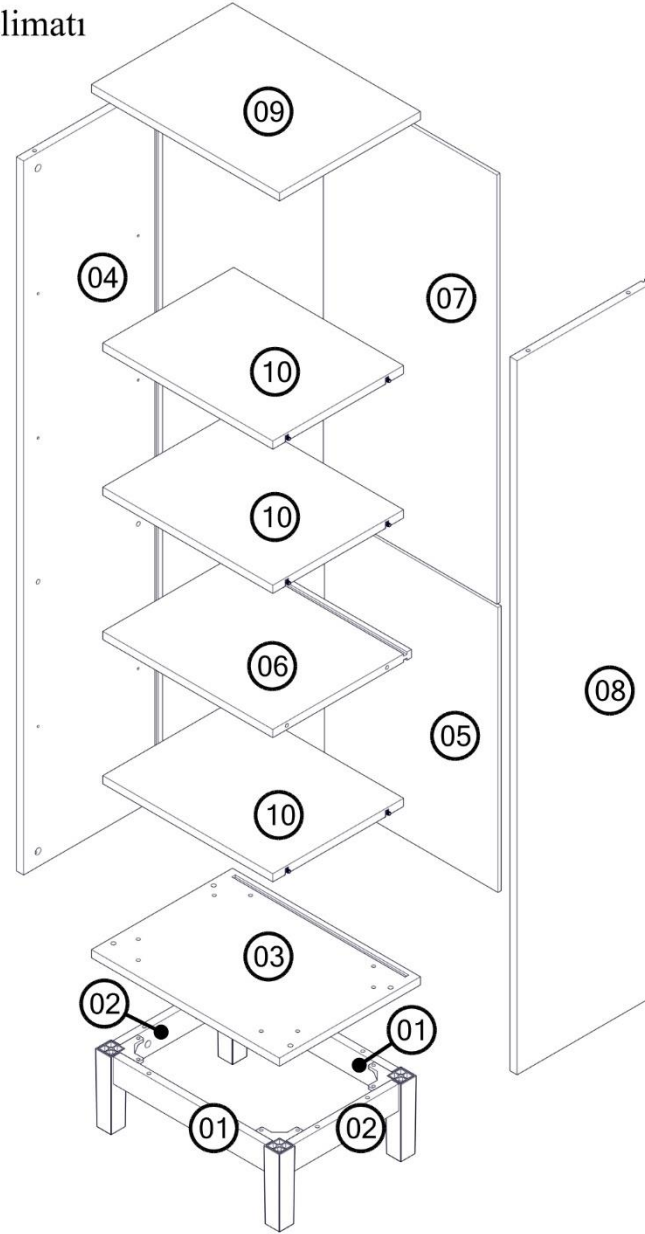
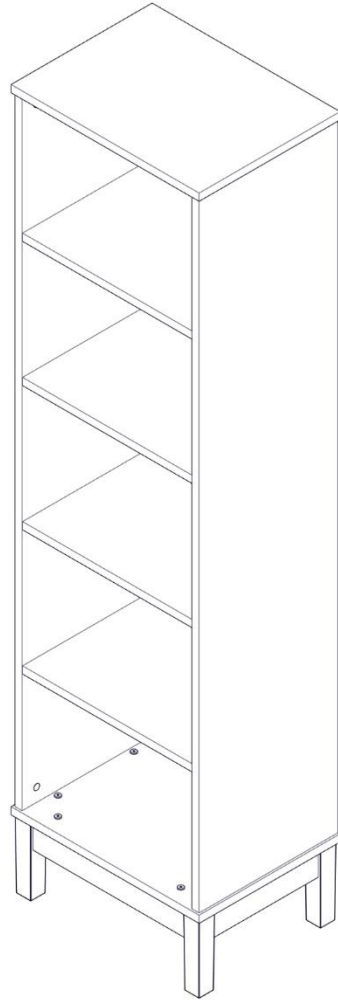


ETTO Bookshelf Assembly Instructions

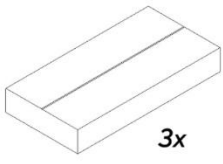
ETTO Kitaplık
Montaj Talimatı



Pz3



PEOPLE NEEDED REQUIRED TOOL

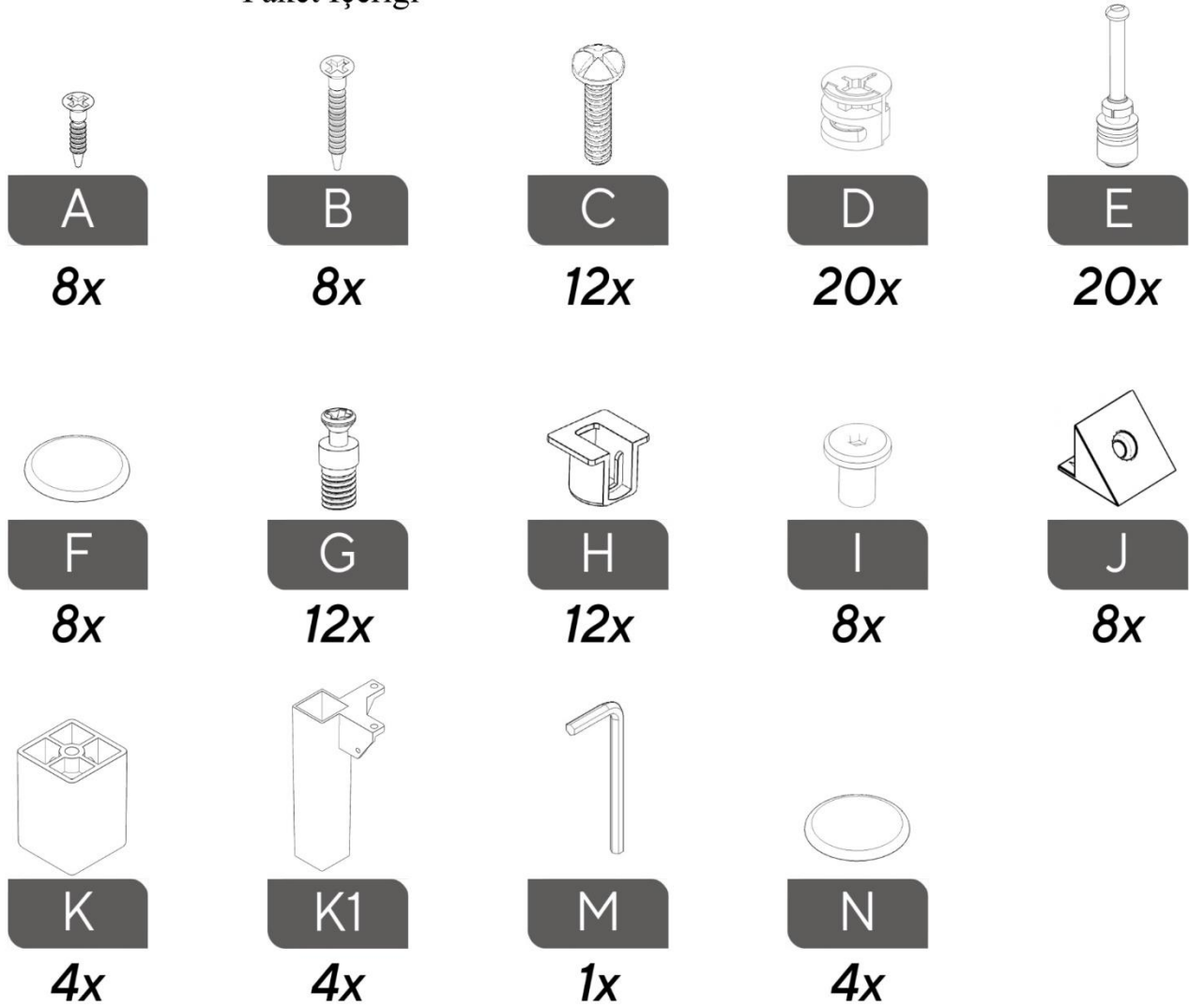


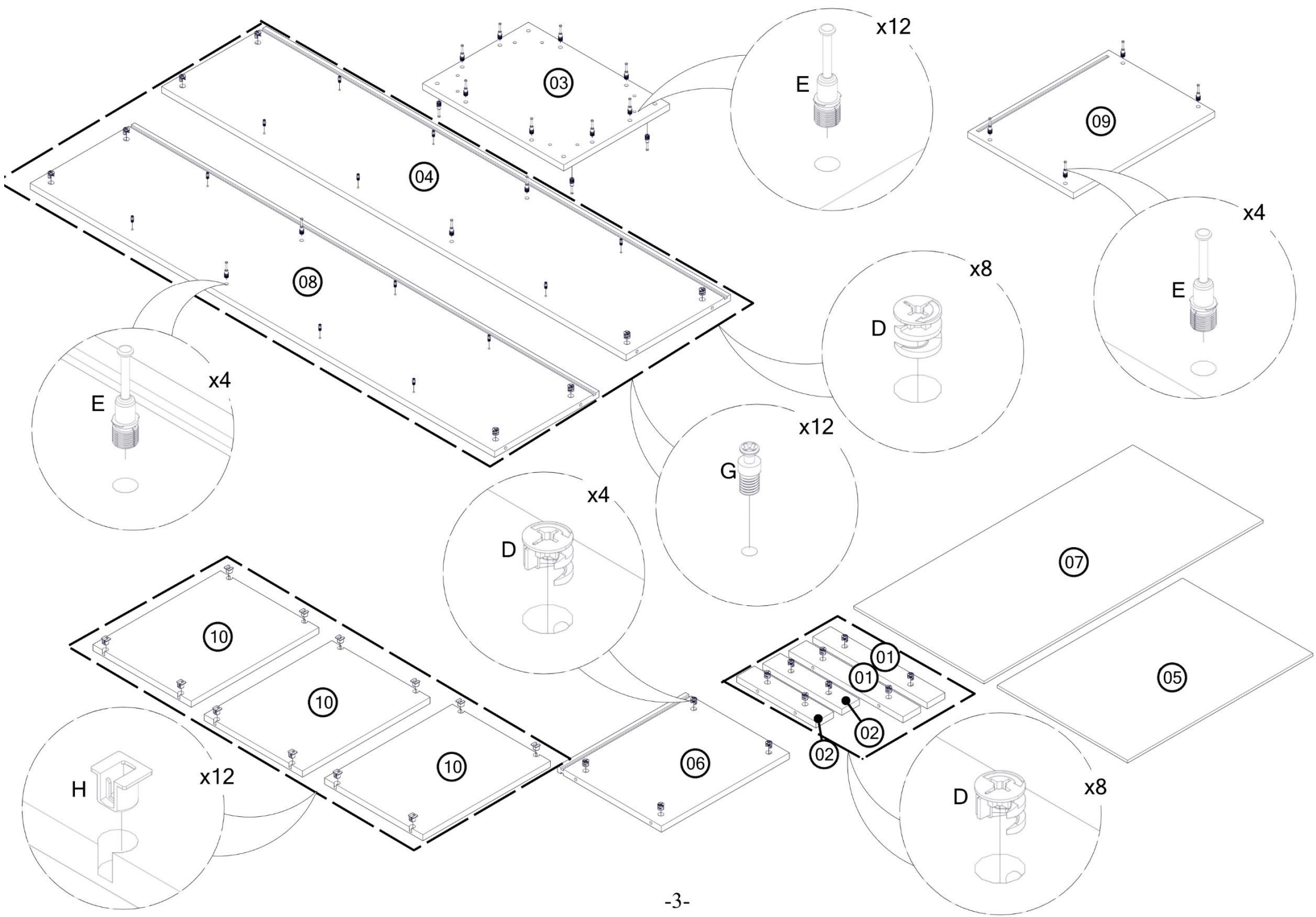
Bookshelf Parts

N	L (mm)	W (mm)	T (mm)
01	389.00	60.00	18.00
02	269.00	60.00	18.00
03	480.00	360.00	18.00
04	1579.00	355.00	18.00
05	630.00	443.00	8.00
06	434.00	354.00	18.00
07	949.00	443.00	8.00
08	1579.00	355.00	18.00
09	480.00	360.00	18.00
10	434.00	334.00	18.00

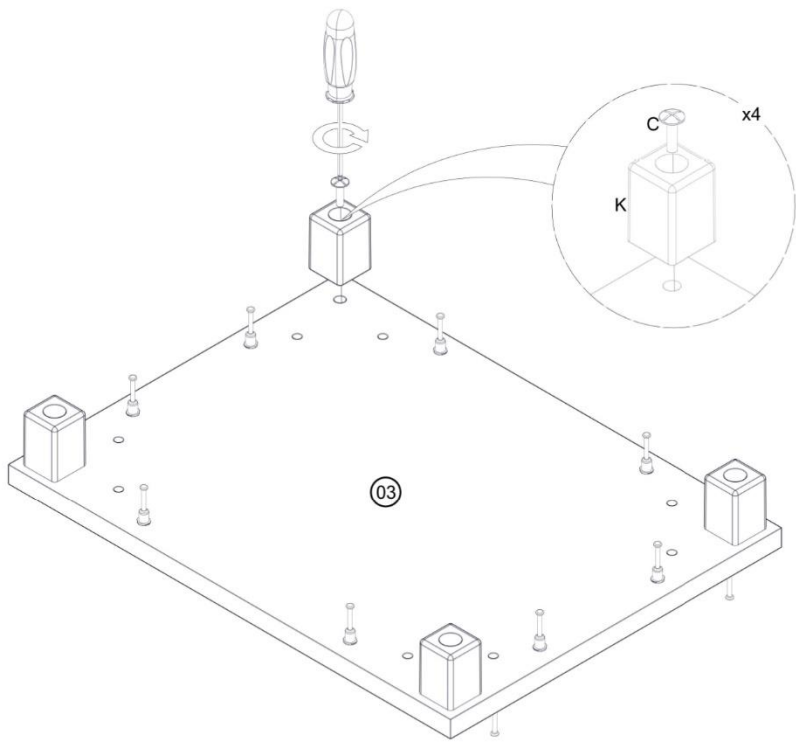
Package Includes

Paket İçeriği

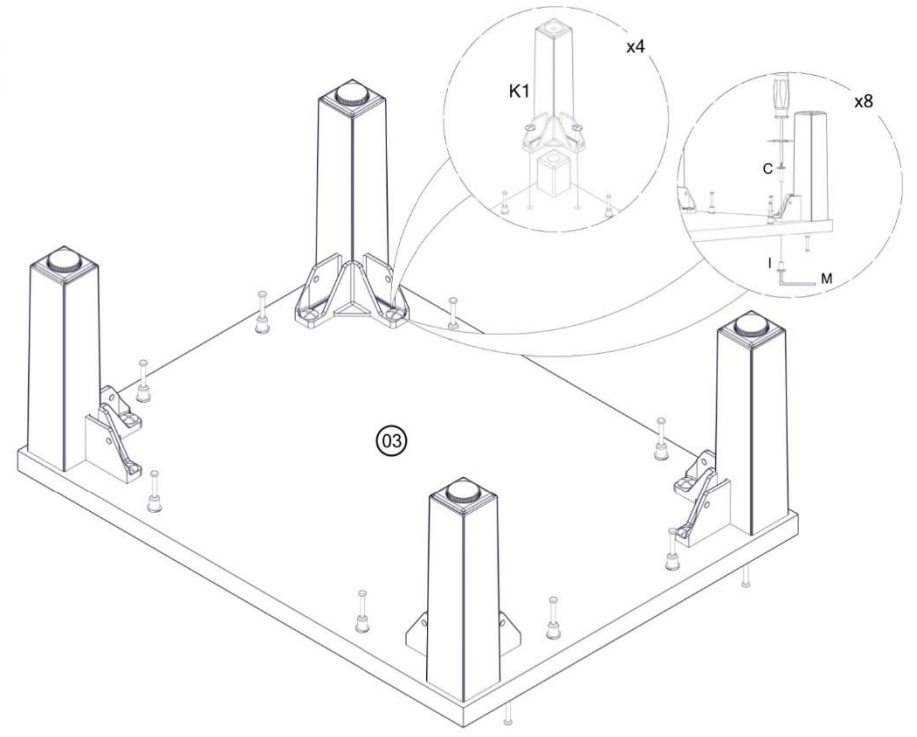




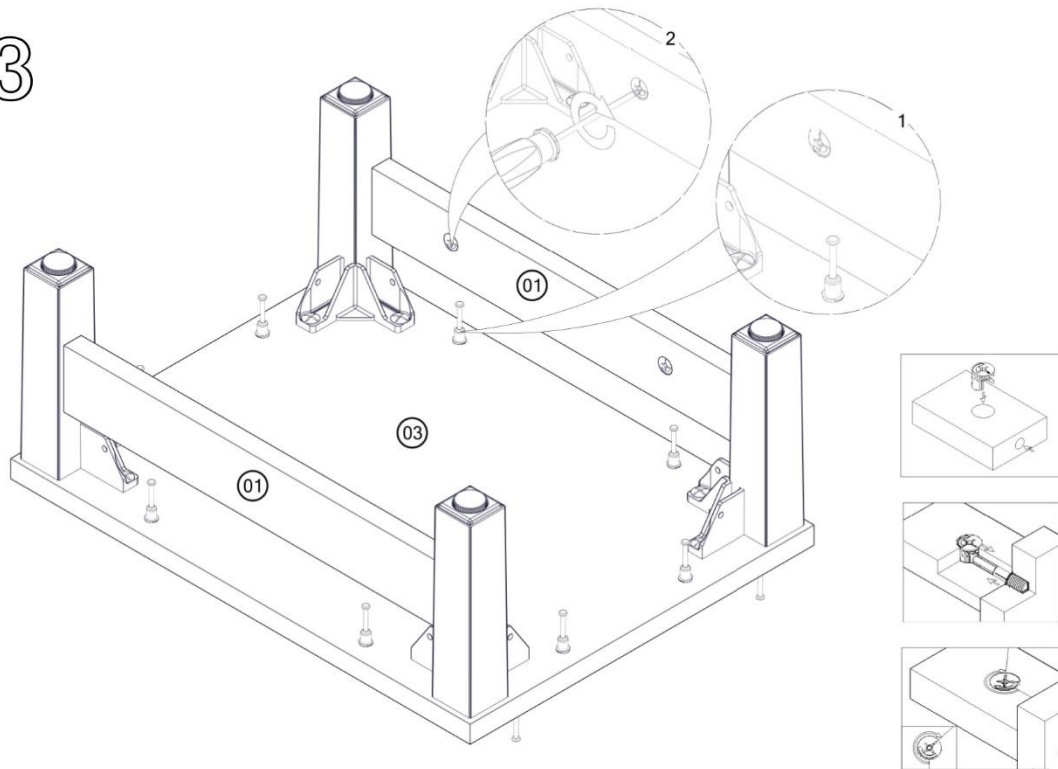
1



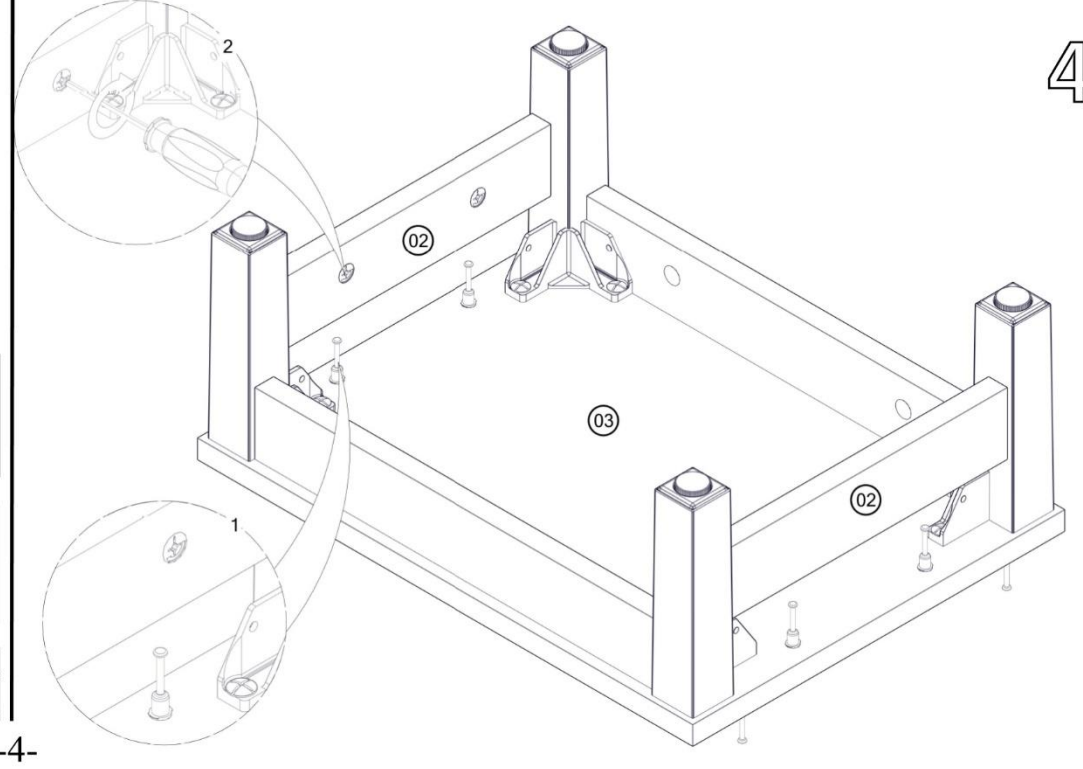
2



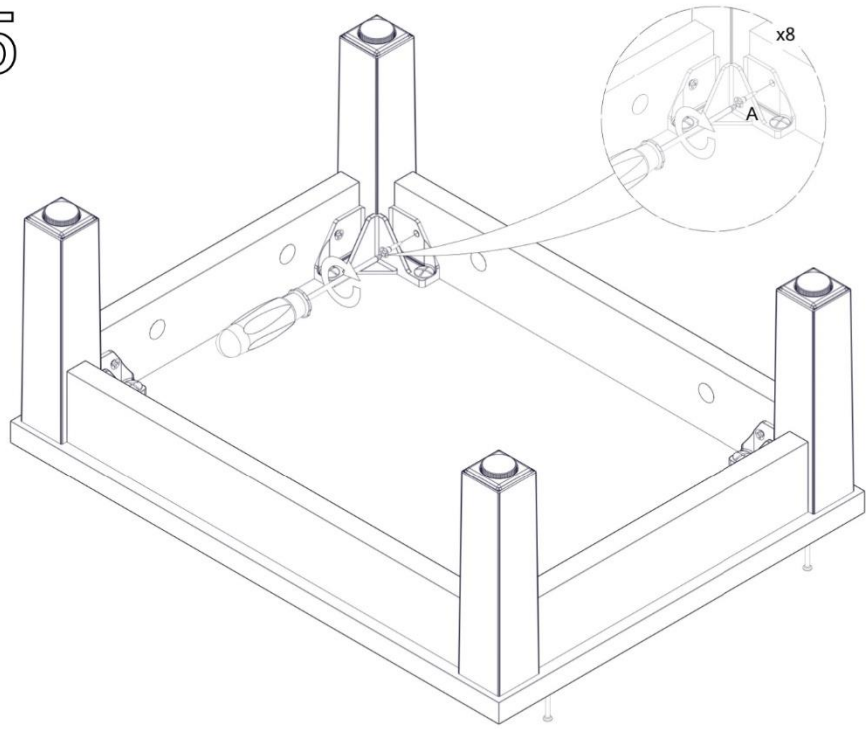
3



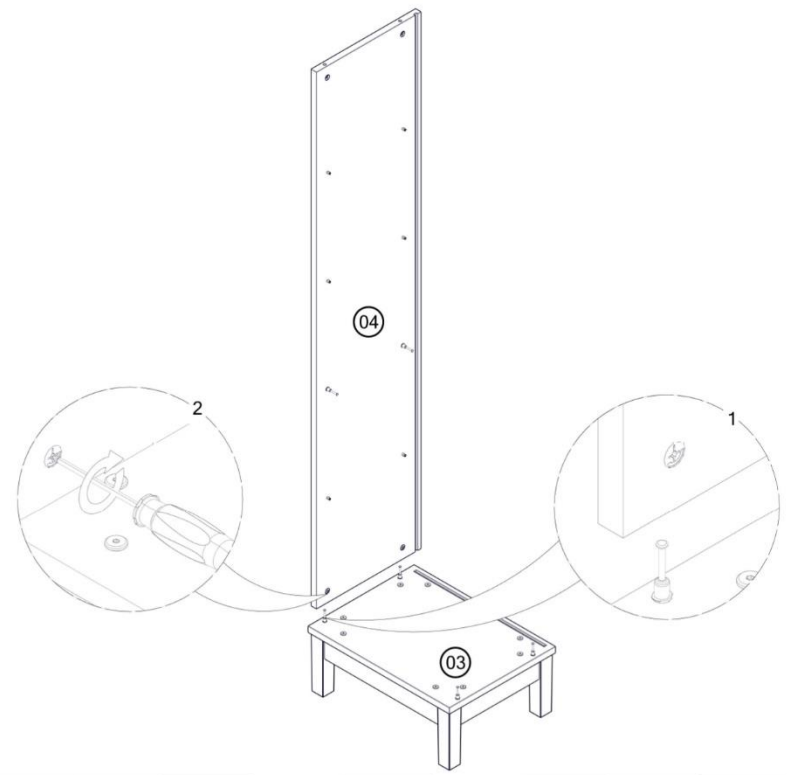
4



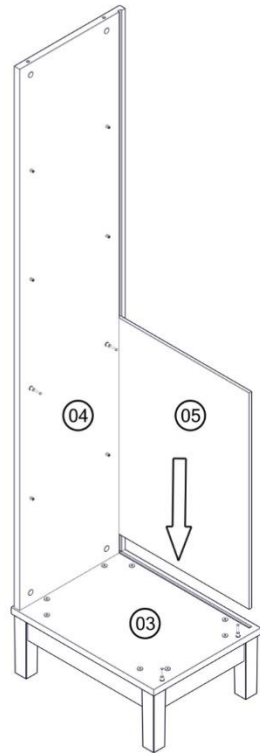
5



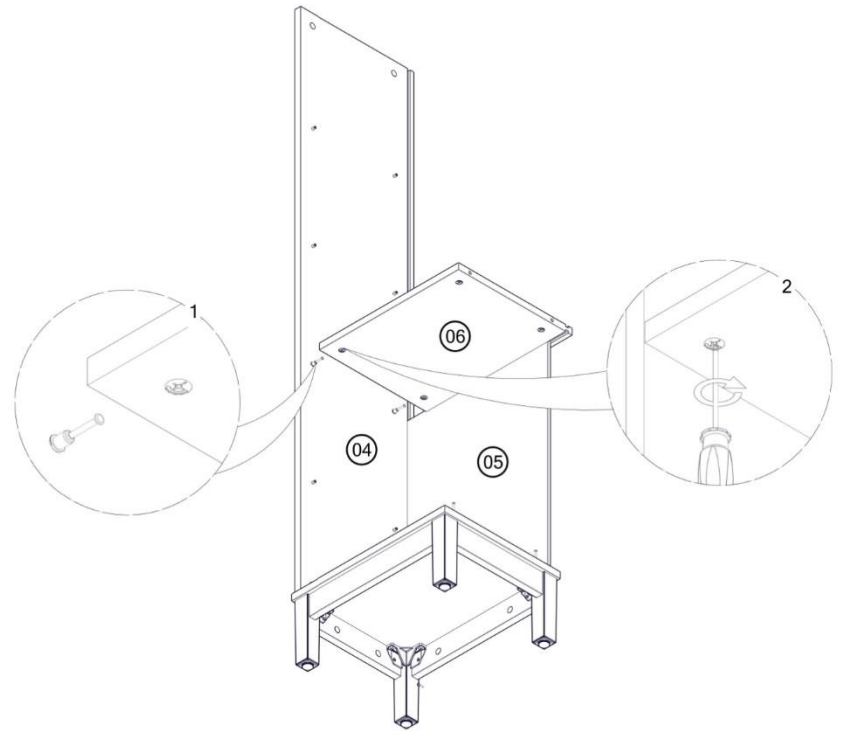
6



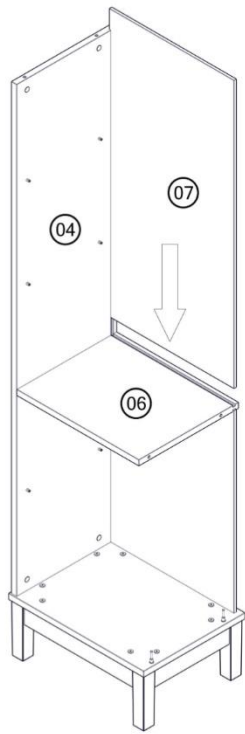
7



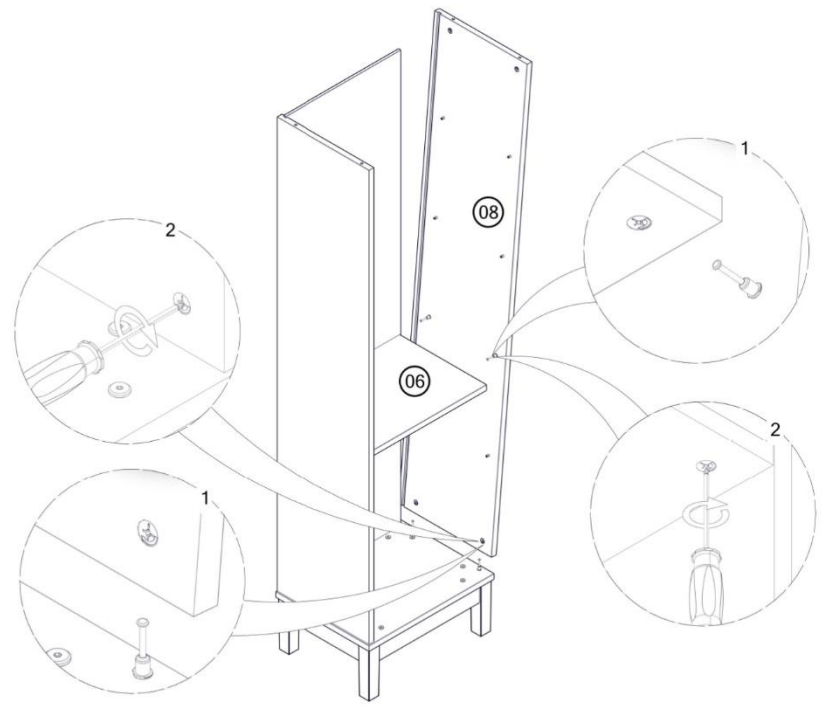
8



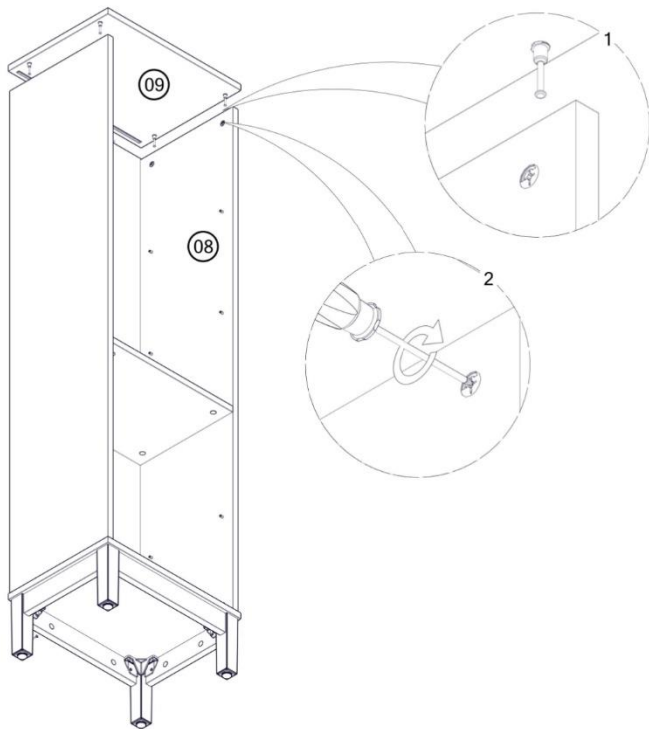
9



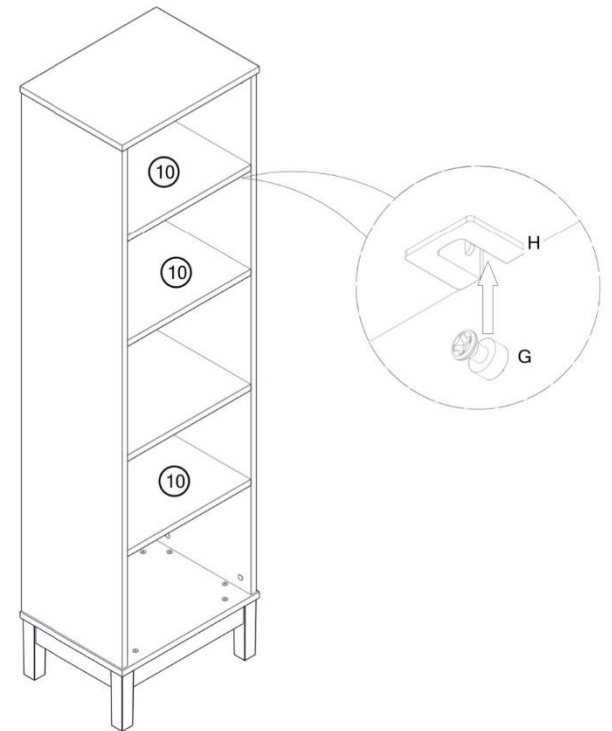
10



11



12



13

